

LightLEEDer Panel

Overview

The LightLEEDer programmable lighting control relay panel is the key to a powerful, dependable, flexible and energy efficient lighting system. LightLEEDer panels come with our new Reliant40 relays which feature a superior four contact design—the first true 40Amp lighting relay. Reliant40 relays come in 1-, 2- and 3-pole configurations in a robust breaker-style body. LightLEEDer panels range in size from 4 to 64 relay capacity and are equipped with CAT-5 RJ45 connectors for LightSync data line devices and interconnecting panels. Panels include a keyboard and LCD screen, along with USB and TCP/IP connections for easy programming with our free LightLEEDer Pro Software. Add-on modules are available for connecting to BAS, theatrical, or security systems.



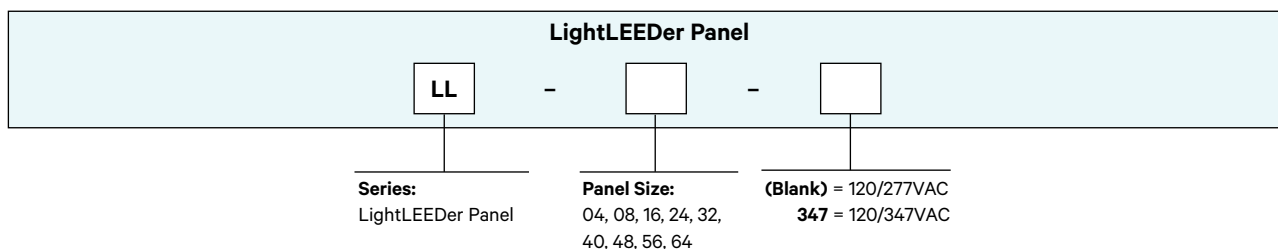
Features

- **Made in the USA, meets BABA Requirements**
- **Digital CAT 5** ready
- **Automatic** receptacle plug load and lighting circuit control
- **Programming Options** are done with a Integrated keypad with 4-line LCD display or using LightLEEDer Pro software via USB or TCP/IP.
- **Network Capability** allows you to connect up to 254 panels and 64 LightSync devices per panel, plus an additional 254 devices on the panel network.
- **TCP/IP** option (Ordered separately).
- **Relay Groups** can comprise any relay on the network and be assigned to any of the 256 available groups — controlled by any timer, switch, or other external commands.
- **Relay Presets** can be programmed from any relay ON/OFF patterns and be assigned to any of the 256 available presets —controlled by any timer, switch, or other external commands.
- **Timer Scheduling for 128 available timers** that can turn relays ON or OFF for Time-of-Day, Astronomical times, and Open/Close.
- **Clock Functions** include Automatic Astronomical calculation of Sunrise and Sunset, Adjustable Daylight Saving Time and Enable/Disable.
- **Switching Inputs** accepts virtually any type of switch, momentary or maintained, 2- or 3-wire switch and directly powers motion sensors, data line switches and devices.
- **Switch Input Flexibility** is provided with time-of-day function change and also has “and/or” logic built in.
- **Add-On Modules** available for each controller, and include BACnet IP, BACnet MSTP, Modbus RTU, Modbus ASCII, N2, DMX512.

Warranty

Five-Year limited warranty

Ordering

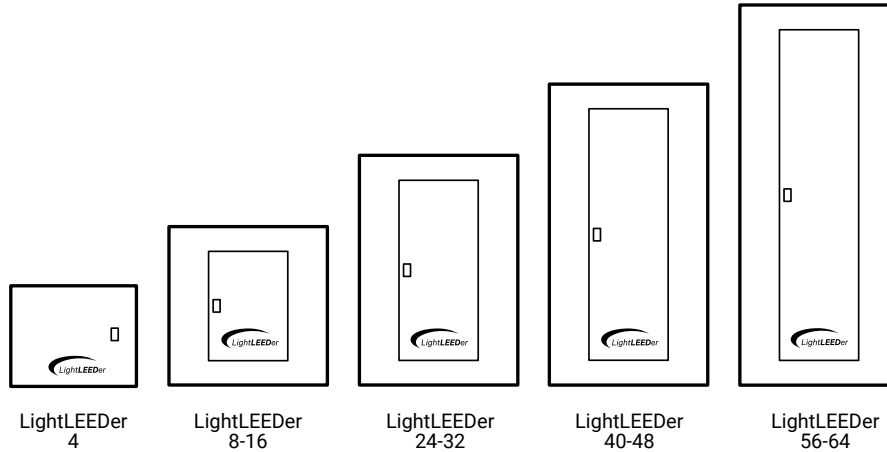


Note: Flush mounting option available

All ILC product configurations are built to be compliant with the Buy American Act of 1933 (BAA) or the Buy America Build America Act (BABA). BABA is the minimum Government compliance requirement for the Buy America Build America standards which is part of the Infrastructure and Investment Jobs Act (IIJA). Individual Government Agencies may have more stringent compliance standards. Please refer to the [DOMESTIC PREFERENCES](#) website or consult the CLS Domestic Preferences team for more information. Components shipped separately may be separately analyzed under domestic preference requirements.

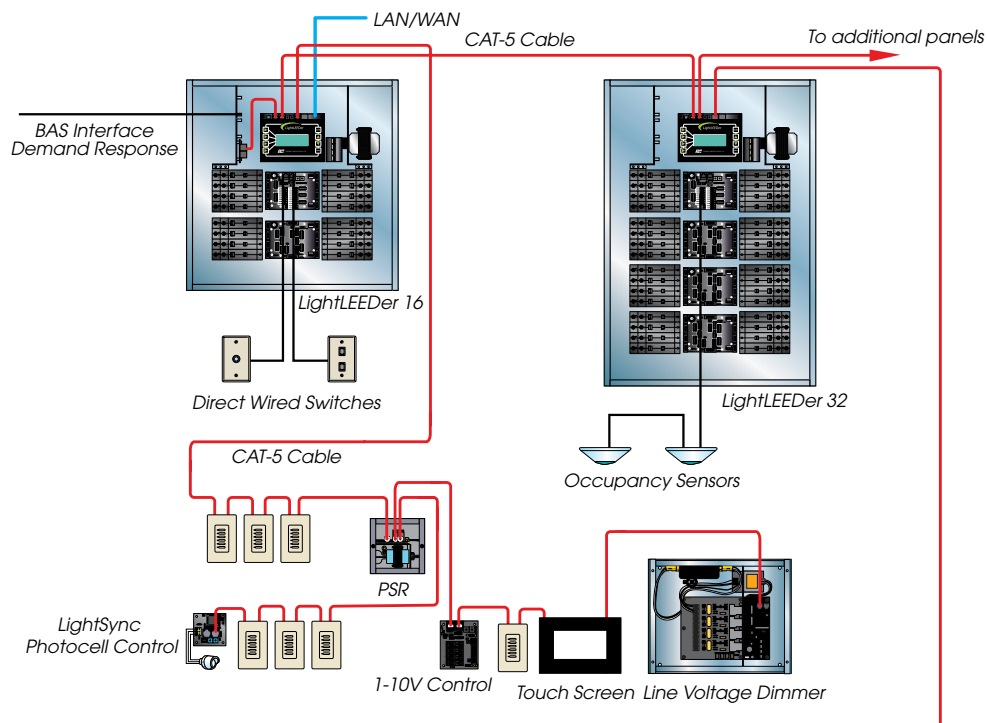
LightLEEDer Panel

Physical



Enclosure Size Options (NEMA Type 1 w/cover)

Enclosure Type	Relays	Width	Height	Depth
LightLEEDer 4	1 to 4	14 in.	12 in.	6 in.
LightLEEDer 8-16	1 to 16	20 in.	20 in.	6 in.
LightLEEDer 24-32	1 to 32	20 in.	29 in.	6 in.
LightLEEDer 40-48	1 to 48	20 in.	38 in.	6 in.
LightLEEDer 56-64	1 to 64	20 in.	48 in.	6 in.



LightLEEDer

Panel

Specifications

Relays:

- Superior breaker style design
- Switch type override control
- Lockout feature disables control from panel
- 40 Amps @ 120, 277 and 347 VAC, 1-pole
- 40 Amps @ 208/240/480, 2 & 3-pole
- R40 Relays ordered separately

Safeguards:

- **Power surge and spike suppression** up to 123 volts on the 24VAC power input
- Data Line surge and spike suppression up to 8Kv and 15Kv through air
- **Memory retention** for firmware and programming up to 200 years and electrostatic discharge to 4Kv
- **Real-Time-Clock time retention** 45 days or greater without power
- **Internal memory backup** and restore

Physical:

- Double-sided construction for mounting directly to breaker box or stand alone
- Pre-drilled mounting holes for easy installation
- Provided with a removable hinged locking door.
- High voltage barriers separate Normal/Emergency and Class 1/Class 2 wiring
- Optional NEMA 4 and 4X enclosures available

Electrical:

- 120/277 VAC @ 1 Amp, or optional 120/347 VAC

Capacities:

- Up to 64 single pole relays
- 2 to 4 add-on modules
- Power for up to 10 LightSync devices from LS port

Operating Environment:

- Location: Interior space
- Operating Temp.: 0° to 50° C
- Humidity: 10% - 90% Non-condensing
- Atmosphere: Non-explosive/corrosive
- Vibration: Stationary

Domestic Preferences:

Domestic preference options to meet BAA or BABA requirements. BABA is the minimum Government compliance requirement for the Buy America Build America standards which is part of the Infrastructure and Investment Jobs Act (IIJA). Individual Government Agencies may have more stringent compliance standards. Please refer to the [DOMESTIC PREFERENCES](#) website or consult the CLS Domestic Preferences team for more information. Components shipped separately may be separately analyzed under domestic preference requirements.

Certifications and Approvals:

- UL
- CUL
- FCC Part 15
- Title 24
- ASHRAE compliant